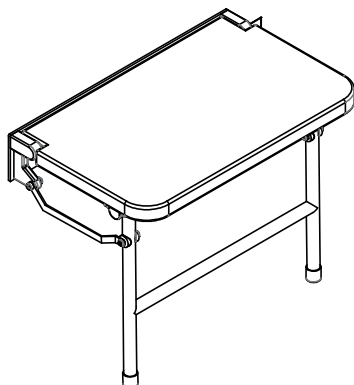
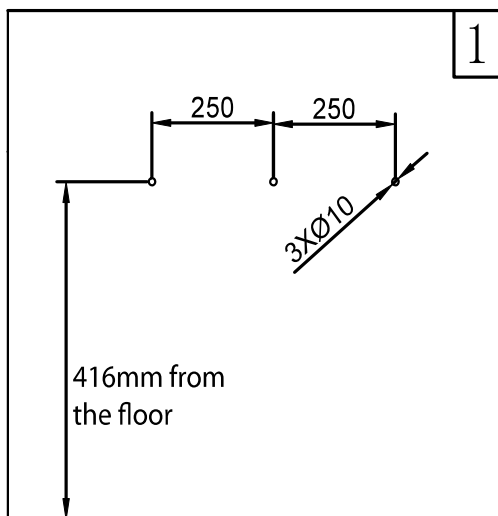


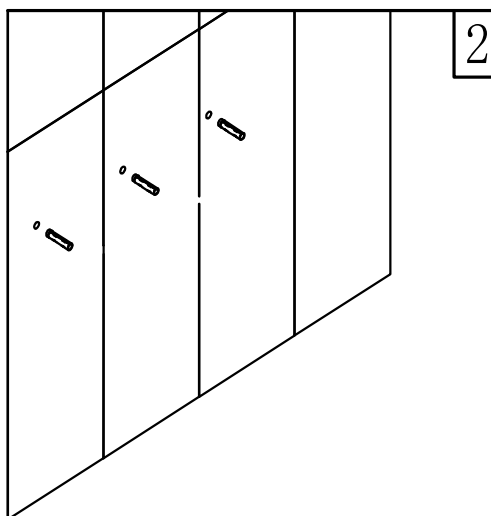
SHOWER SEAT - QUICK INSTALLATION TIPS



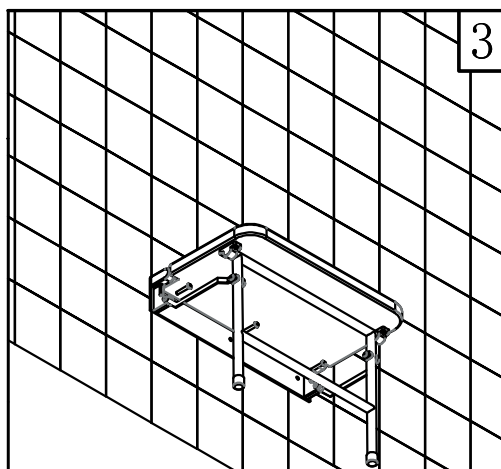
To achieve the correct height when installing the SHS600 shower seat, measure 416mm from the floor to establish the center line of the fixing holes .
Please note that the supplied wall fixings may not be suitable for all substrates .



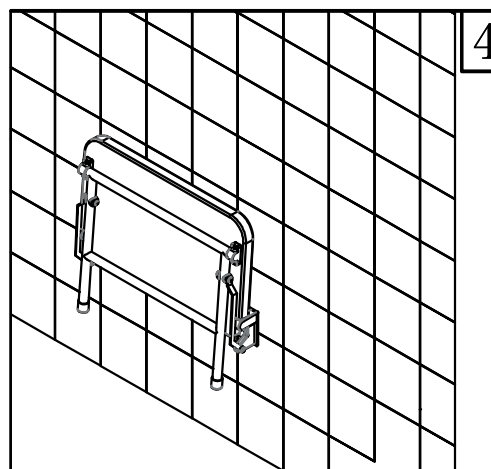
Mark out the hole positions on the wall.



Drill holes and position wall anchors



Fasten the shower seat bracket to the wall



Ensure that all screws are tight.