

PRODUCT SPECIFICATION SHEET FOR - SHOWER SEATS

SHS960S

DESCRIPTION

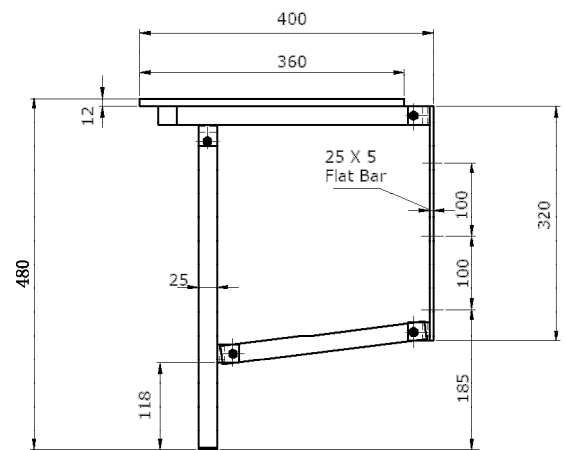
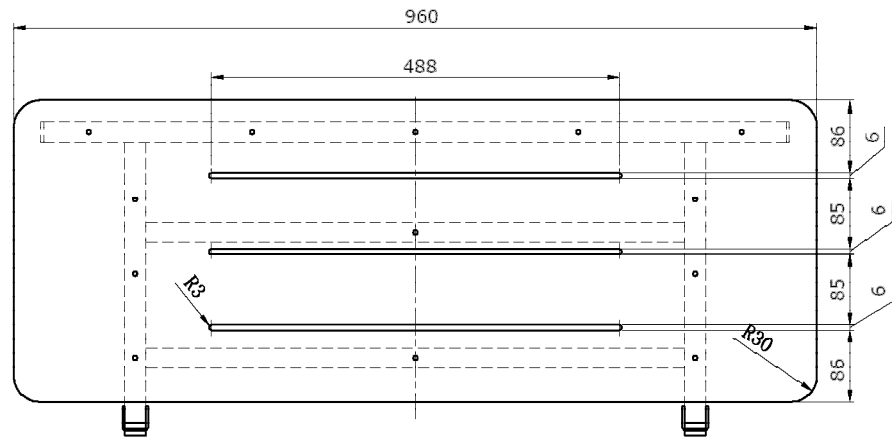
Fold away Shower Seat to be installed in a shower recess.
This durable design is manufactured in accordance to AS1428.1-2021
Designed for the safety, security and convenience of the physically disabled. Easy to install on most building surfaces.
Easily folded up when not in use.

FRAME

Material Stainless Steel 304 grade
Square Tube 25mm
Wall Thickness 1.2mm
Finish Brushed Satin Stainless Steel
Mounting Stainless Steel flat bar with multiple points

SEAT

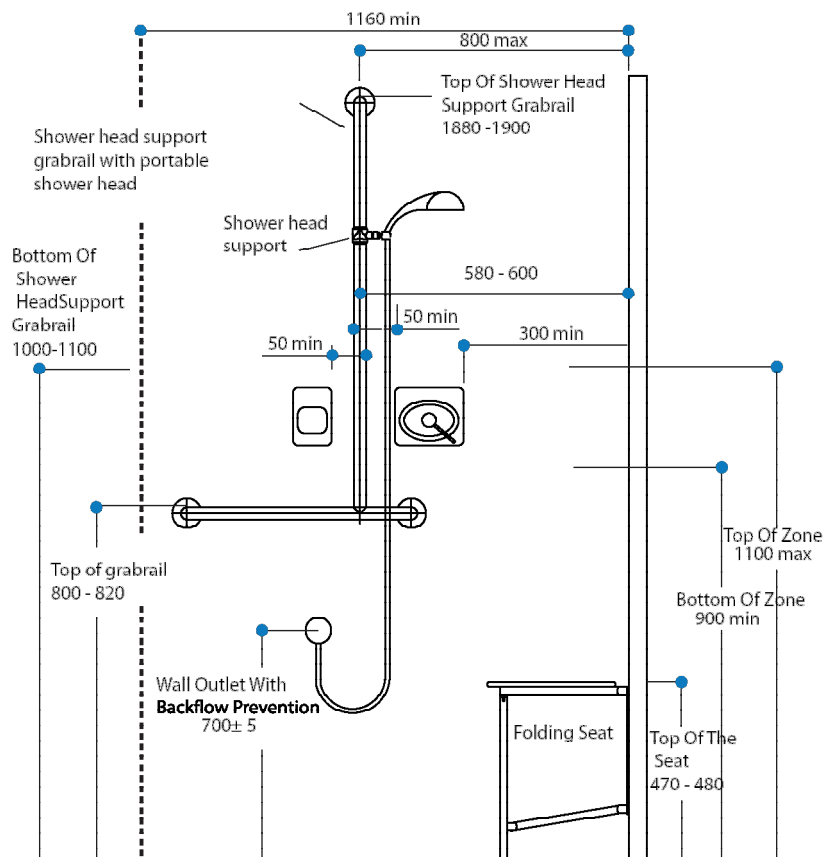
White phenolic top
6mm Drainage slots (Compliant)



PRODUCT SPECIFICATION SHEET FOR - SHOWER SEATS

SHS960S

Installation guide for Shower Seat in Accessible Facilities



INSTALLATION INSTRUCTIONS

Careful planning is required to prepare the wall structures or to investigate the soundness of any existing substrates, followed by selecting the most suitable fixings for the conditions.

It is recommended that suitably qualified persons, carry out installation and reference to Australian Standard requirements should be made to ensure the installation complies with all requirements.

Mounting height and location of shower seat must comply with local building codes.

The Axess Trading shower seat is no stronger than the anchors and walls to which it is attached and, therefore, must be firmly secured in order to support the loads for which it is intended.

WARRANTY

Axess Trading Products as described in the heading, are guaranteed to be free from defective materials and workmanship for a period of 12 months from date of purchase, subject to the product being used for the purpose for which it was designed.

Under this warranty, products returned to Axess Trading will be repaired or replaced at no extra charge to the purchaser.