

## PRODUCT SPECIFICATION GUIDE FOR - DROP DOWN RAIL

### STYLE - EGT40

#### DESCRIPTION

Auto Hold Stainless Steel Drop Down Grabrail for general use.  
Designed for safety, security & convenience and manufactured to withstand weights according to AS1428.1:2021

#### Features

- Unique Auto-Hold<sup>®</sup> mechanism retains rail in place when returned to vertical position.
- Easy one hand motion to raise or lower rail without effort
- Precision engineered hub design gives smooth movement
- No cumbersome levers or knobs.
- Residents with some degree of independence can pull the rail down with very little effort.
- Optional Eisegrip<sup>®</sup> call button mounting and Roll Holder are neatly housed inside the rail with no dangerous sharp edges or exposed wiring.

#### SPECIFICATION

Material	Stainless Steel 304 grade
Tube Diameter	32mm
Wall Thickness	1.2mm
Mounting	Stainless Steel Wall Plate

#### FINISHES

Satin finish  
Powder coated finish (available to order)

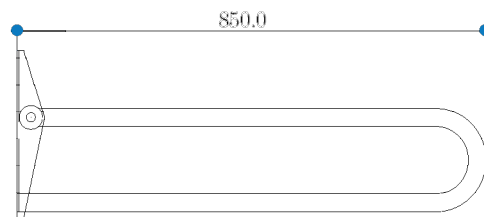
Nurse Call Provision



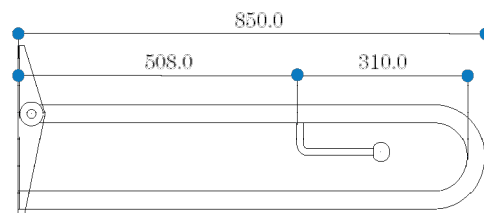
Toilet Roll Holder



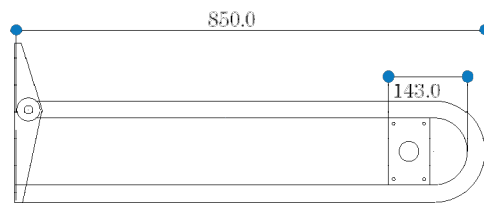
Standard Model



With Roll Holder



With Nurse Call Provision



- The Eisegrip<sup>®</sup> nurse call provision suits most communication hardware.
- The nurse call provision is pre drilled and pre-threaded with pull through twine for easy wiring.
- Supplied with screws.
- Consult your communications contractor for communication wiring wall outlets in the appropriate positions suitable for the T40 installation.

Please note: Communication hardware is supplied by others.

## PRODUCT SPECIFICATION GUIDE FOR - DROP DOWN RAIL

### STYLE - EGT40

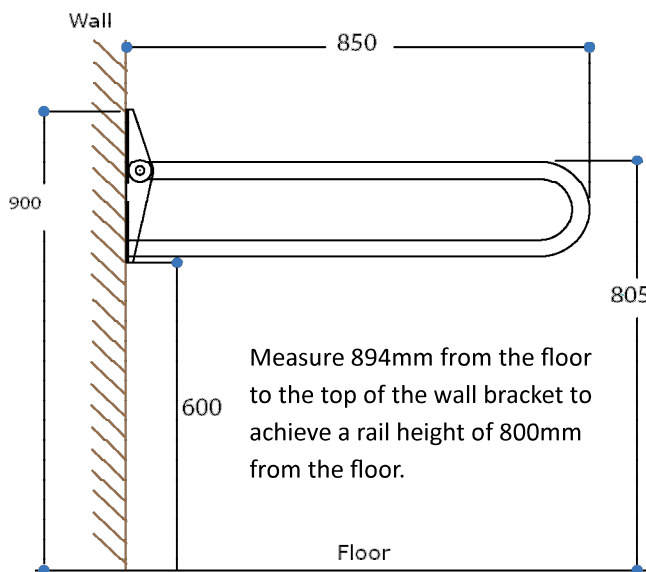
#### PRODUCTS AVAILABLE

Code	Description
EGT40.S	As Shown Standard - Satin Finish
EGT40.S.TR	With Roll Holder - Satin Finish
EGT40.S.NC	With Nurse Call Provision - Satin Finish

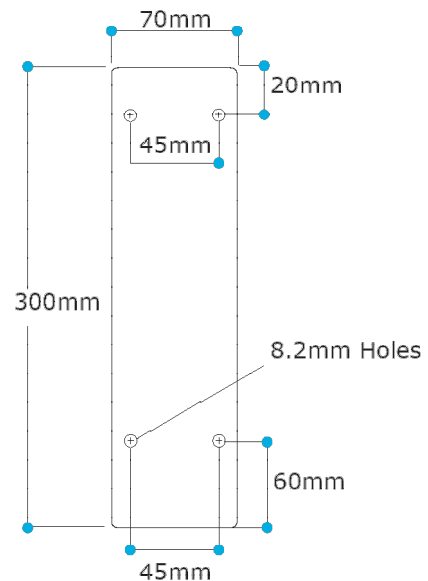


Dimensions for all wall mounted T40 installations.

Fixing Height



Wall Bracket Hole Positions



#### INSTALLATION INSTRUCTIONS

Recommended Installation Height

To comply with Australian Standards AS 1428.1:2021, horizontal grabrails must be fastened a distance of 800-820mm from the floor (Measured to the top of the rail). There is currently no Standard for the Drop Down Rail

Careful planning is required to prepare the wall structures or to investigate the soundness of any existing substrates, followed by selecting the most suitable fixings for the conditions. The fastenings should be able to withstand a force of 1100N at any point from any direction.

It is recommended that suitably qualified persons, carry out installation and reference to Australian Standard requirements should be made to ensure the installation complies with all requirements.